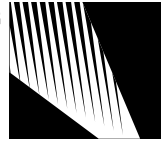


FX | LUMINAIRE®
LO-20, LO-35, LO-50

UPLIGHTING



LAMPADA OTTONE® | FX LUMINAIRE®

FINE SOLID BRASS
CONSTRUCTION

Our premiere uplight luminaire is built to last a lifetime but priced for the value-conscious project owner. Milled from solid billet brass, this is the best choice for applications such as island resorts or beach-side homes that demand extreme durability and high performance. A wide range of filters and glare control devices allows the lighting designer to shape the beam for precise light painting of any fine exterior.

FX has taken the semi-precious metal brass and created a clean distinctive form that incorporates exclusive beam control and light shaping options. Silicone O-ring seals create a watertight enclosure allowing the designer to use the LO as an uplight or downlight.

The patent pending LO will accommodate 28 different lamps ranging from 20-50 watts with a variety of beam spreads.

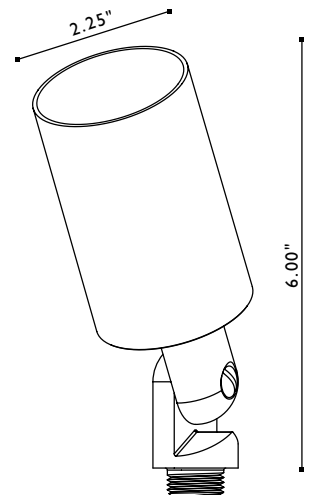


YEARS OF STRENGTH

Brass has been the material of choice for nautical hardware metal smiths for centuries. Olde World craftsmen appreciated the unique qualities of brass such as the ability to incorporate fine mechanical detail, its resistance to corrosion, even in the most hostile environments, and the ease with which brass can be restored to a high polish if desired.

The brass will patina naturally over time and can be accelerated with solution spray. For patina formulas visit www.FXL.com/patina.

Note: This fixture is designed for uplighting only.



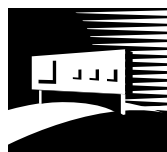
UPLIGHTING
TREES



ARCHITECTURAL
ACCENTS



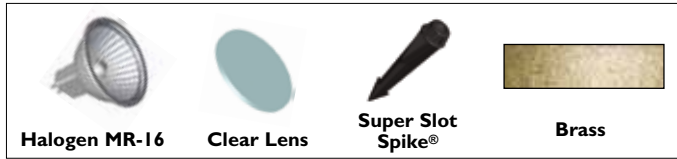
ENTRY
MONUMENTS



LAMPADOTTONE® - ORDERING INFORMATION

The LO comes standard with a 20 watt Halogen MR-16 lamp, Clear Lens, Super Slot Spike®, and in Brass (BS).

STANDARD PARTS:



ORDERING SAMPLE:

SECTIONS:	DESCRIPTION:	WHAT TO ORDER:
1 + 2 + 3 <small>optional</small>	+ +	= LO-50
A, B and/or C	HexBaffle®	= HB
	PostMount®	= PM

STANDARD OPTIONS:

1 + 2 + 3 ORDERED TOGETHER ON SAME LINE

STANDARD LAMP CONFIGURATIONS:

Choose from any watt Halogen (H).

FIXTURE/CODE	WATTAGE/CODE	DESCRIPTION
1 LO 	2 HALOGEN (H) LAMP OPTIONS:	
	20H	20 watt Halogen, wide, 36° beam, Avg. life 5000 hours; now available in 10000 hours <i>(new)</i>
	20V-H	20 watt Halogen, very narrow, 10° beam, Avg. life 5000 hours
	35H	35 watt Halogen, wide, 36° beam, Avg. life 5000 hours; now available in 10000 hours <i>(new)</i>
	35V-H	35 watt Halogen, very narrow, 10° beam, Avg. life 5000 hours
	50H	50 watt Halogen, wide, 36° beam, Avg. life 5000 hours; now available in 10000 hours <i>(new)</i>
	50N-H	50 watt Halogen, narrow, 25° beam, Avg. life 5000 hours; now available in 10000 hours <i>(new)</i>
	50V-H	50 watt Halogen, very narrow, 10° beam, Avg. life 5000 hours

LAMP NOTE:

Some lamps are by special order. Please check with our factory for availability.

STANDARD FINISH OPTIONS:

Brass is standard. All other choices must be specified.

CODE	DESCRIPTION
BS	Brass <i>(will naturally patina)</i>

NON-STOCKING FINISH OPTIONS:

Allow extra time for the following finish options:

3 NP	Nickel Plate
-------------	--------------

NON-STANDARD OPTIONS:

A, B AND C, MUST BE ORDERED ON SEPARATE LINE!

ADDITIONAL GLARE CONTROL OPTIONS:

Does not come pre-assembled with glare control, they will arrive in separate box.

CODE	DESCRIPTION
A HB	HexBaffle®

ADDITIONAL LENS OPTIONS:

Comes pre-assembled with a clear lens. All others will arrive in separate box.

CODE	DESCRIPTION	
B	F	Frosted Lens
	S	Spread Lens
	SO	Solite Lens
	CF-1	Peach Lens
	CF-2	Blue Lens
	CF-3	Green Lens
	CF-4	Red Lens

ADDITIONAL MOUNTING OPTIONS:

Comes pre-assembled with Super Slot Spike®.

All other mounting options will arrive in separate box.

CODE	DESCRIPTION	SIZE
C CDS	CapannaDiNoce®	2.00" x 10.00"
SJ	SuperJ-boX®	2.50" x 12.00"
PM	PostMount®	2.50" x 13.00"