



**VISTA  
PROFESSIONAL  
OUTDOOR  
LIGHTING**

Type: \_\_\_\_\_

Model: \_\_\_\_\_

Project: \_\_\_\_\_

## SPECIFICATION SHEET

### MODEL: 9216 - 12V SERIES: Path & Spread Lights

#### SPECIFICATIONS:

**HOUSING:**

Die-cast, copper-free aluminum.

**STEM:**

1/2" schedule-40 aluminum pipe with 1/2" NPT.

**FINISH:**

Polyester powder-coated finish available in Black, Verde, Architectural Brick, Architectural Bronze, Granite, Pewter, Terracotta, Rust, Hunter Green, Mocha, Weathered Bronze, Weathered Iron, & White.

**SOCKET/LAMP HOLDER:**

Top grade ceramic socket with nickel contacts, stainless steel springs, & Teflon-jacketed wire leads.

**LENS:**

Clear, prismatic, high-impact, polycarbonate spread lens.

**LAMP TYPE:**

T3 – 20W maximum. LN-10 T3 Halogen (10W) Standard.

*(See back page for LED lamp specifications)*

**MOUNTING:**

Bottom of stem threaded with 1/2" NPT. Fixture may be mounted into threaded hubs in junction boxes, ground stakes, or floor-mounting canopies. Please see fixture ordering information for mounting selection.

**FASTENERS:**

All fasteners are stainless steel.

**WIRING:**

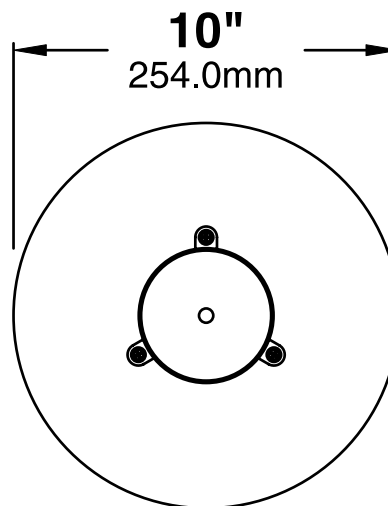
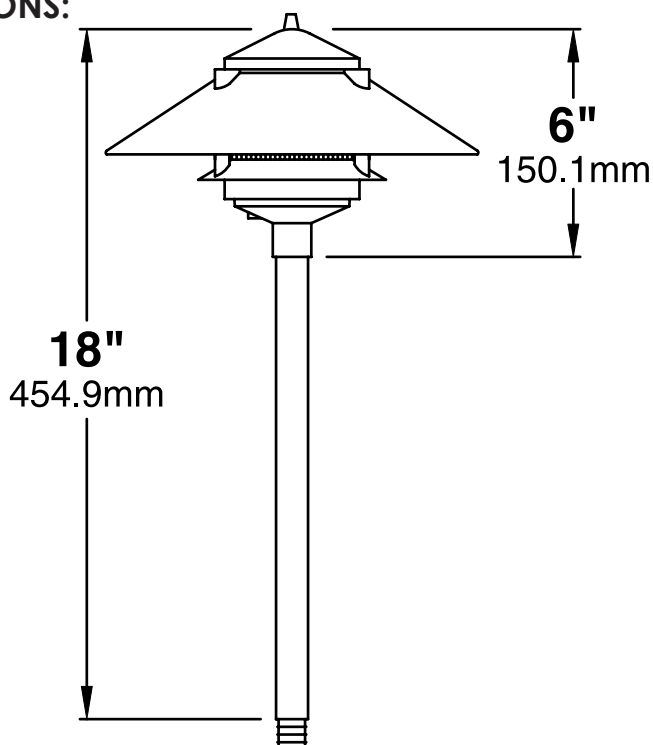
Prewired with a three-foot pigtail of 18-2 direct-burial cable & underground connectors for a secure connection to the supply cable.

**CERTIFICATION:**

UL Listed to U.S. & Canadian safety standards for low voltage landscape luminaires (UL 1838). The maximum wattages allowed by Underwriters Laboratories (UL) for the U.S. & Canadian markets may vary. Maximum wattages specified are Underwriters Laboratories U.S. standard. Please contact Vista for any questions about the maximum wattages allowed by UL Canadian standards.

All Vista luminaires are **MADE IN THE U.S.A.**

#### DIMENSIONS:



In an effort to improve product design U.S.T.E., Inc. reserves the right to modify the specifications of this fixture.

## LED LAMP SPECIFICATIONS (if applicable) :

### LAMP TYPE:

Type 3 Luxeon High Output LED with Vista exclusive smart-driver, powered to operate for 50,000 hours.

### OPTICS:

Integral high-efficiency optics available in spot through flood beam spreads.

### ELECTRICAL:

Input voltage range 5–15V AC, regulated to achieve uniform illumination throughout the cable run of fixtures. Integral surge & reverse polarity protection.

## FIXTURE ORDERING INFORMATION

**TO ORDER FIXTURE:** Select appropriate choice from each column as in the following example

EXAMPLE: PR-9216-B-T3 10-FR

MOUNTING	CATALOG NO.	FINISH	LAMP	ACCESSORIES
PR- ABS ground stake incl.	9216	<b>B-</b> Black <b>G-</b> Verde <b>BR-</b> Architectural Brick <b>Z-</b> Architectural Bronze <b>GT-</b> Granite <b>P-</b> Pewter <b>TC-</b> Terracotta <b>R-</b> Rust <b>HG-</b> Hunter Green <b>M-</b> Mocha <b>WB-</b> Weathered Bronze <b>WI-</b> Weathered Iron <b>W-</b> White	(Please see lamp order code column on lamp guide, Vista product catalog.)	FR- Flat Frosted lens

Fixtures shipped with standard lamp, unless otherwise specified.

Fixtures shipped with specified mounting hardware.

**Note:** Optional custom length stems available. Consult local distributor.